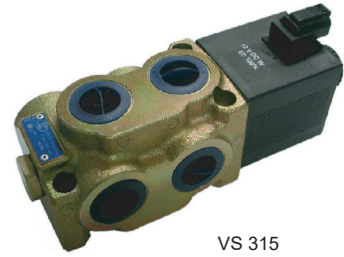
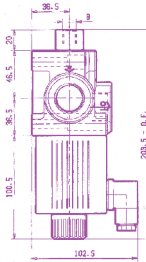
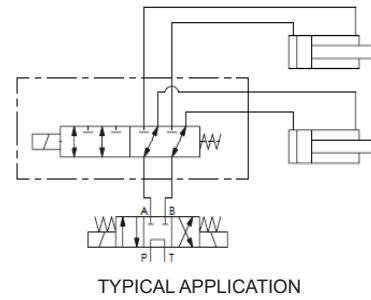


6 WAYS / 2 POSITIONS

MAX GPM	MAX PSI	PORTS	VOLTAGE	PART NUMBER	CIRCUIT
13.5	3625	SAE-08	12V DC	KVH6-S08-DC1200	
				ES000320	
			24V DC	KVH6-S08-DC2400	
				ES000321	
16		12V DC	SAE-12	VS155-12VDC	
				24V DC	
37		12V DC	SAE-12	ES000316	
				VS315-12VDC	
	24V DC			ES000317	
				VS315-24VDC	
50	1" BSP		12V DC	VS400-12VDC	
			24V DC	VS400-34VDC	

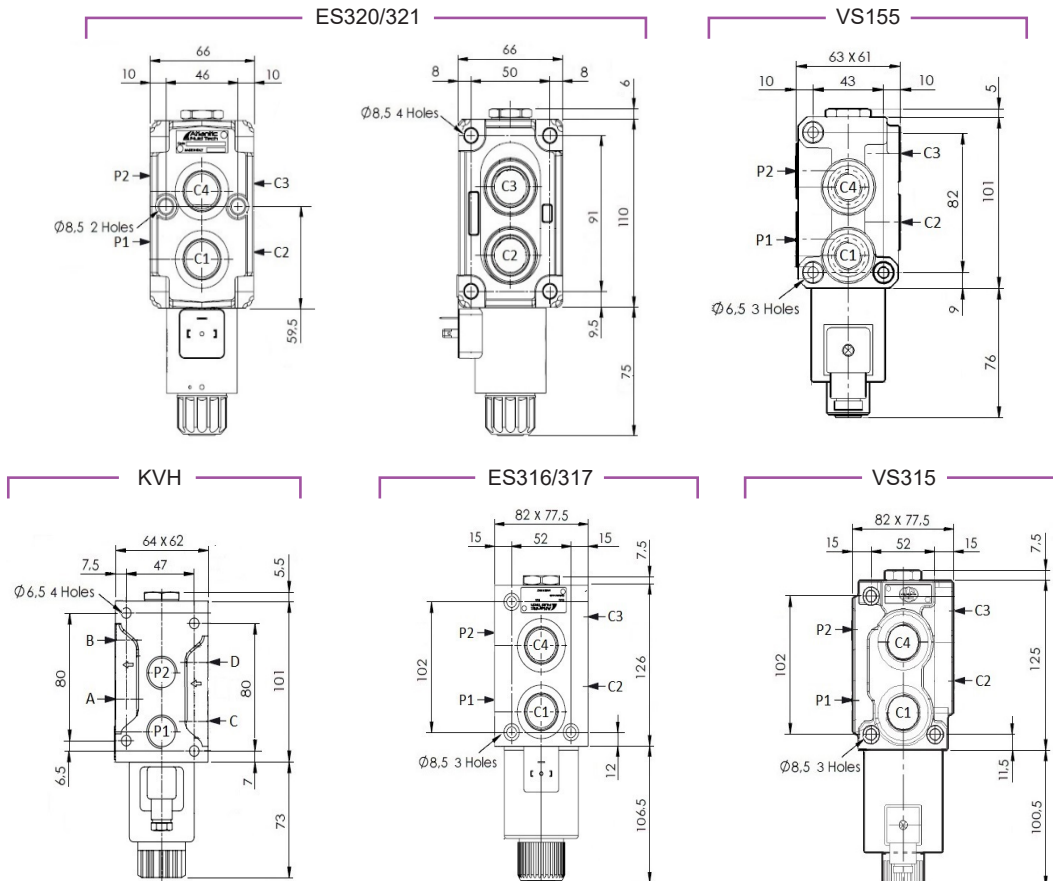


VS 315



VALVES

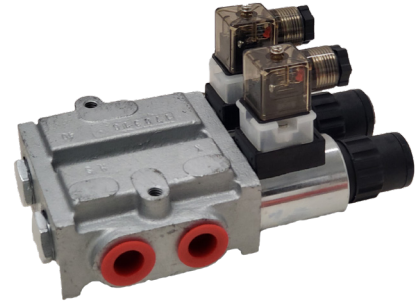
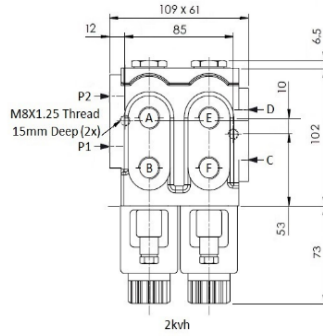
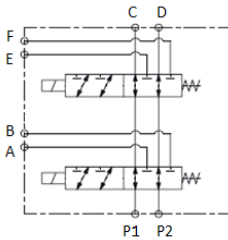
DIMENSIONS



MONOBLOCK 8 WAYS

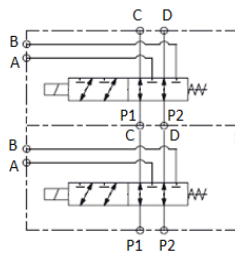
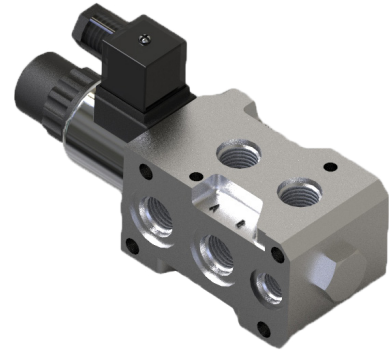
MAX GPM	MAX PSI	PORTS	VOLTAGE	PART NUMBER
13.5	3625	SAE-08	12V DC*	2KVH6-DC12-S08

*24V AVAILABLE FROM STOCK

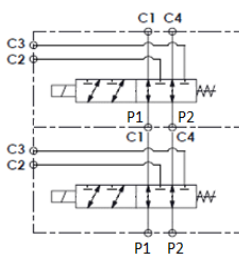


STACKABLE 6 WAYS

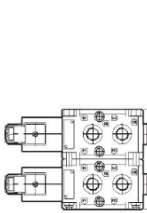
MAX GPM	MAX PSI	PORTS	VOLTAGE	WAYS	PART NUMBER	
6.5	3625	SAE-04	12V DC*	6	VS125F-12VDC	
13.5				SAE-08	12V DC*	6
		8	MOP066-S08-I2-DC12			
			12V DC			6
		6			ES000318	
		6			ES000319	
		21	SAE-10		12V DC *	6
8				SVK10-DC12-S10-N2		
24		SAE-10	12V DC*	6	VS285F-12VDC	
					6	ES000312
					6	ES000313



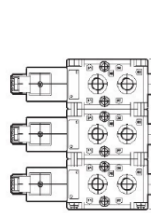
MOP & SKV MODELS
8 WAYS SHOWN



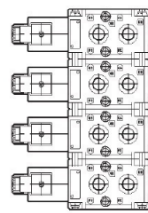
ES & VS MODELS
8 WAYS SHOWN



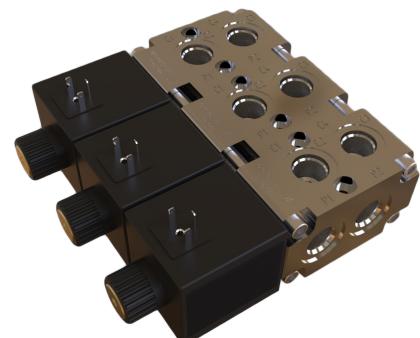
8 ways



10 ways

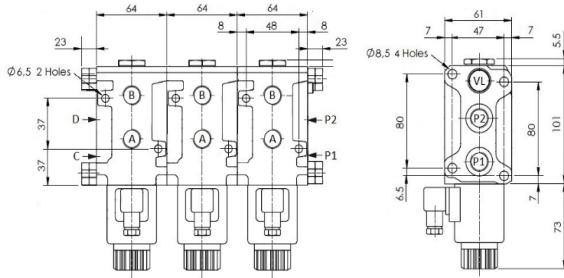


12 ways

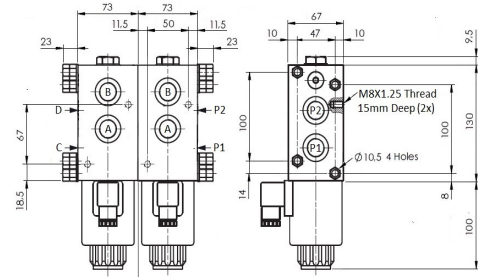


DIMENSIONS

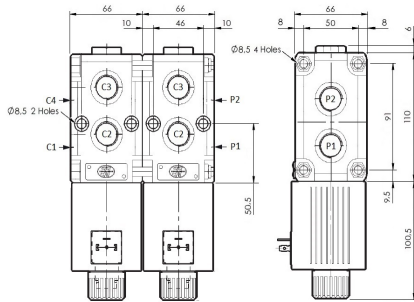
SKV 8 WAYS



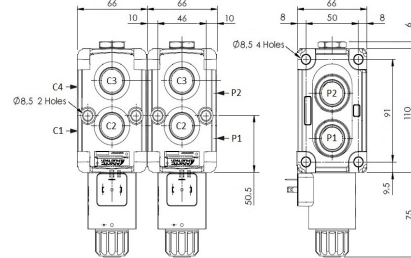
MOP 10 WAYS



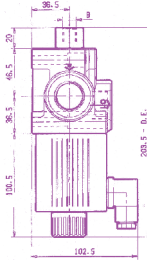
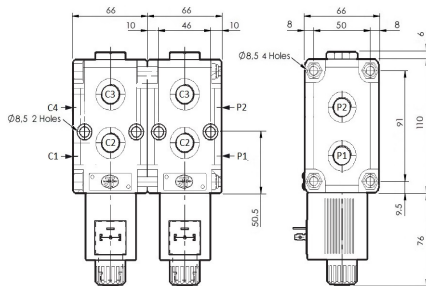
VS285F 8 WAYS



ES 8 WAYS



VS245F 8 WAYS



3 WAYS PUSH-PULL DIVERTERS

- 2500 PSI MAXIMUM PRESSURE
- 20 GPM MAXIMUM FLOW
- LEVER HANDLE, END CAP KIT ALSO AVAILABLE

PART NUMBER	PORTS
SS-2A1D	1/2 NPT
SS-3A1D	SAE 08



6 WAYS PUSH-PULL DIVERTERS

- 2500 PSI MAXIMUM PRESSURE
- KNOB, SPRING OFFSET, ENDCAP AVAILABLE

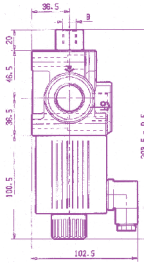
PART NUMBER	MAX GPM	PORTS
DS-1A1E	20	1/2 NPT
DS-3A1E		SAE-10
DS-4A1E	40	3/4 NPT
DS-5A1E		SAE-12



DOUBLE - 6 WAYS

- 3600 PSI MAXIMUM PRESSURE
- 13 GPM MAXIMUM FLOW:
- 2 POSITIONS DETENDED
- PORTS: SAE 08

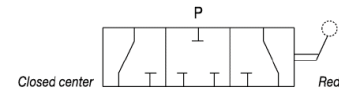
PART NUMBER	DESCRIPTION	DESCRIPTION
DF06/6-A-S		OPEN CENTER IN TRANSITION
DF06/6-C-S		CLOSED CENTER IN TRANSITION



3 WAYS ROTARY DIVERTERS

- CLOSED TRANSITION
- OPEN TRANSITION ALSO AVAILABLE

PART NUMBER	MAX PSI	MAX GPM	PORTS
FD3W-01-C-S	5075	8	SAE-06
FD3W-02-C-S	4560	16	SAE-08
FD3W-03-C-S	4060	24	SAE-10
FD3W-04-C-S	3625	32	SAE-12
FD3W-05-C-S	3200	48	SAE-16



6 WAYS ROTARY FLOW DIVERTERS

- CLOSED TRANSITION
- OPEN TRANSITION ALSO AVAILABLE

PART NUMBER	MAX PSI	MAX GPM	PORTS
FD6W-01-C-S	5075	8	SAE-06
FD6W-02-C-S	4560	16	SAE-08
FD6W-03-C-S	4060	24	SAE-10
FD6W-04-C-S	3625	32	SAE-12
FD6W-05-C-S	3200	48	SAE-16

